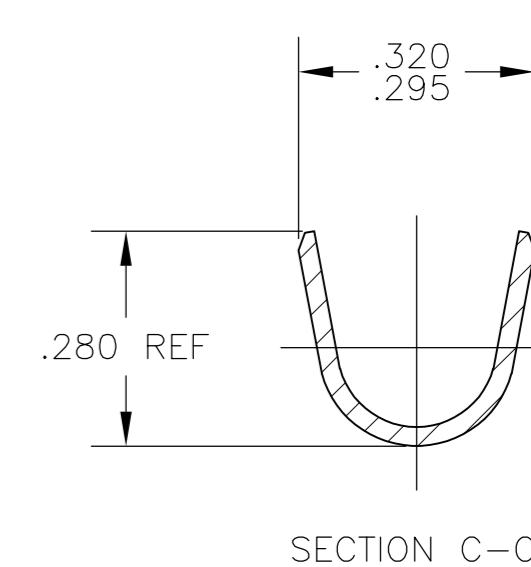
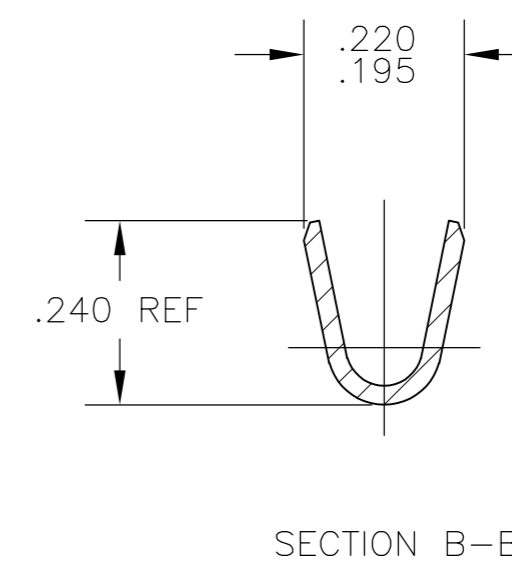
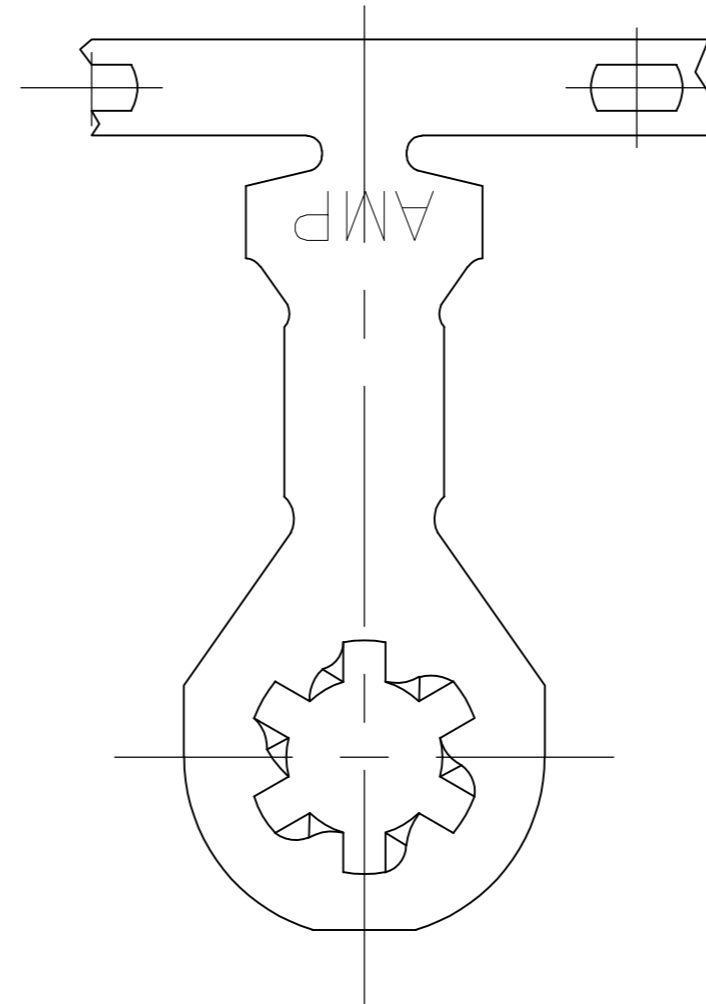
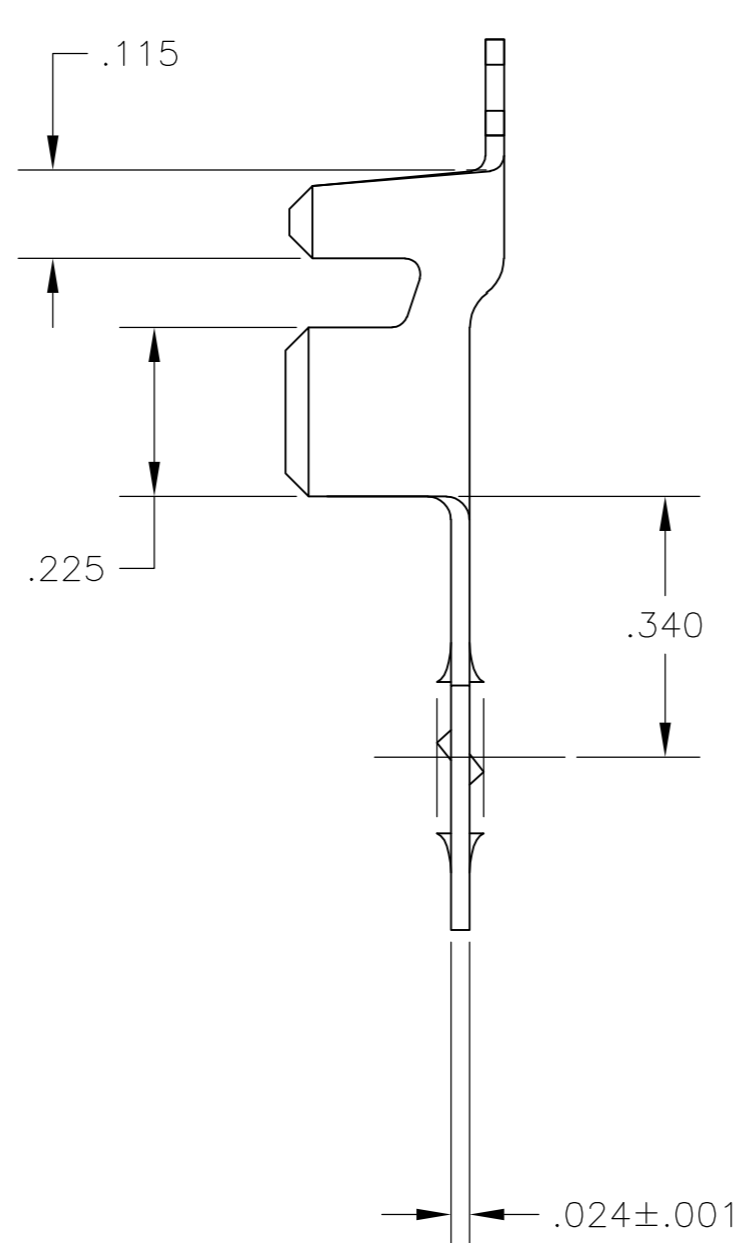
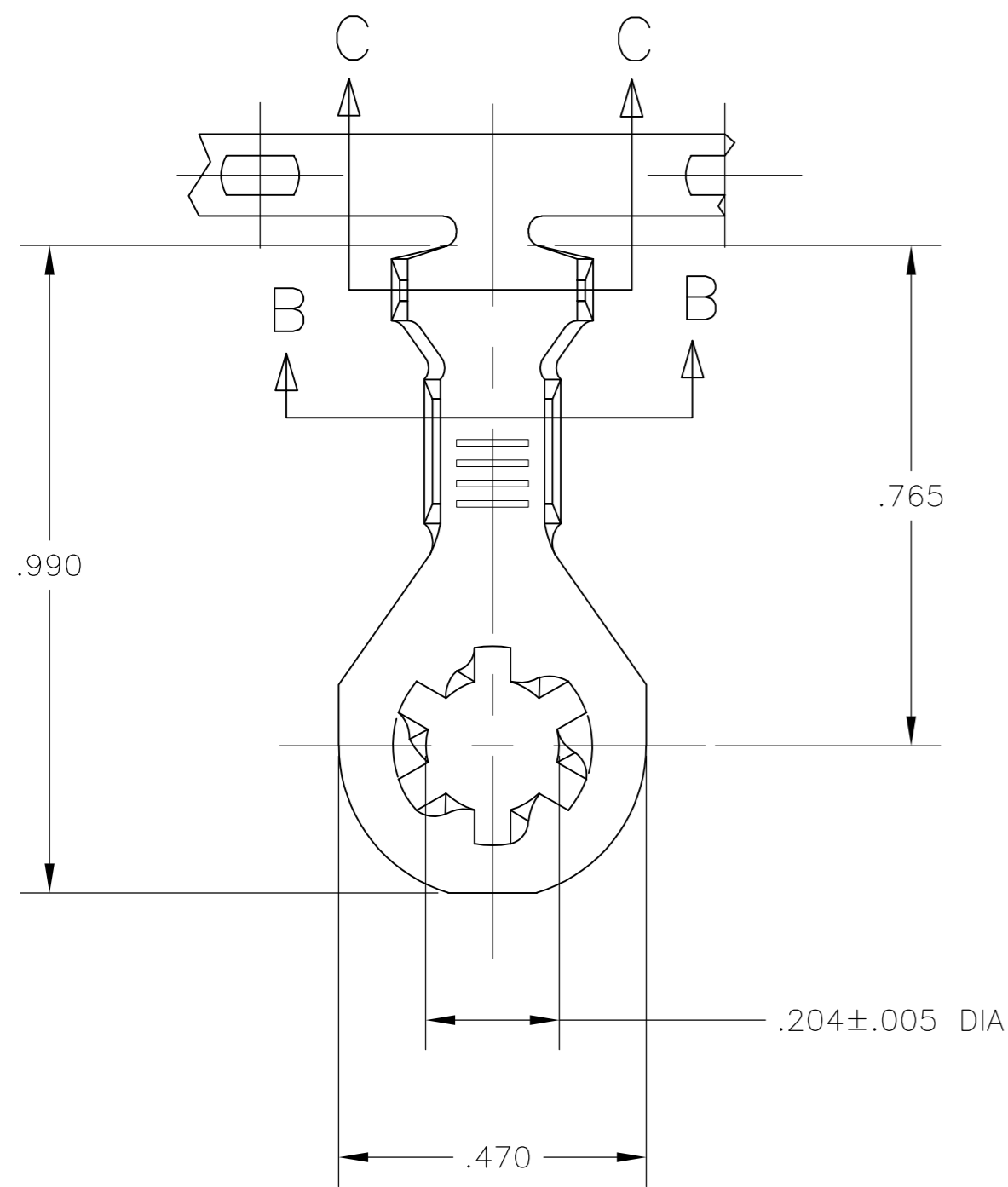


THIS DRAWING IS UNPUBLISHED. RELEASED FOR PUBLICATION
 © COPYRIGHT BY TYCO ELECTRONICS CORPORATION. ALL RIGHTS RESERVED.

LOC	DIST	REVISIONS			
P	LTR	DESCRIPTION	DATE	DWN	APVD
AF	50	F	REVISED PER ECR-10-006099	09JUL10	HMR PD

- CONTINUOUS STRIP ON REELS.
- WIRE RANGE: #12-#10 AWG,
INSULATION RANGE: .125-.220 DIA.



FINISH	MATERIAL	PART NUMBER
TIN	H04 COPPER	62613-3
TIN	TEMP 2 COLD ROLLED STEEL	62613-2
OBSOLETE	ANNEALED STAINLESS STEEL	62613-1

THIS DRAWING IS A CONTROLLED DOCUMENT.		DWN 17NOV2004 MICHAEL S. FEHER	Tyco Electronics Corporation Harrisburg, Pa 17105-3608	
DIMENSIONS: INCHES	TOLERANCES UNLESS OTHERWISE SPECIFIED:	CHK 30NOV2004 DONALD F. DECKER	NAME RING, ANTIROTATIONAL, 10 STUD SIZE	
	0 PLC ± -	APVD 30NOV2004 DONALD F. DECKER	SIZE	RESTRICTED TO
	1 PLC ± -	PRODUCT SPEC	CAGE CODE	
	2 PLC ± -	APPLICATION SPEC	DRAWING NO	
	3 PLC ± .010		SCALE	
	4 PLC ± -		5:1	
	ANGLES ± -		SHEET	
MATERIAL SEE TABLE	FINISH SEE TABLE	WEIGHT	1	
			OF	
			1	
			REV	
			F	